

 | **CENTRIFUGAL
FAN**

www.cvsair.com.tr sales@cvsair.com.tr

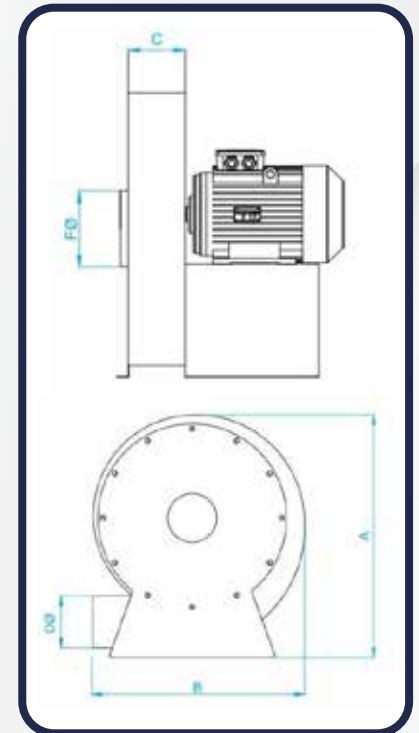


INDUSTRIAL FANS

MEDIUM PRESSURE CENTRIFUGAL FANS

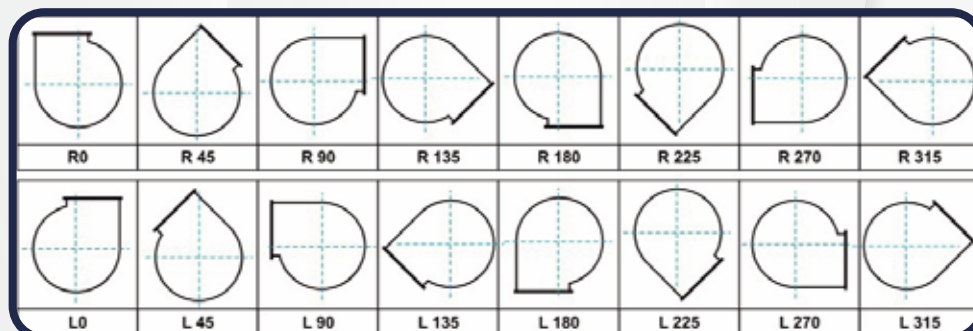


- 1) Motor**
- Motors with IE3 efficiency
 - Motor protection degree IP 55
 - Maximum temperature of air to be conveyed -25°C +80°C
 - Optional: 120°C continuously
 - 300°C / 400°C / 600°C
 - Explosion Proof
- 2) Fan**
- Sheet steel casing
 - Single inlet
 - Medium pressure centrifugal fans
 - Directly coupled motor
 - Painted
 - Optional: Electrostatic painted
 - Epoxy painted
 - C5M coating
 - Low sound level
 - Easy installation and maintenance



Models	Motor Power (kW)	Speed (rpm)	Air Flow (m³/h)	Pressure Loss (mmSS)	A (mm)	B (mm)	C (mm)	D (mm)	ØF (mm)
MPCF-1	0,37	2850	600	100	410	500	100	100	120
MPCF-2	0,75	2850	1000	140	500	580	100	100	130
MPCF-3	1,1	2850	1250	160	530	610	100	100	140
MPCF-4	1,5	2850	1500	180	530	620	120	120	150
MPCF-5	2,2	2850	2000	200	590	650	120	120	170
MPCF-6	3	2850	2425	220	660	700	150	150	180
MPCF-7	4	2850	2850	270	670	710	150	150	190
MPCF-8	5,5	2850	4000	325	750	780	150	150	200
MPCF-9	7,5	2850	5750	400	790	820	180	180	220

Orientations



Note: Seen from the drive side



INDUSTRIAL FANS

LOW PRESSURE CENTRIFUGAL FANS



1

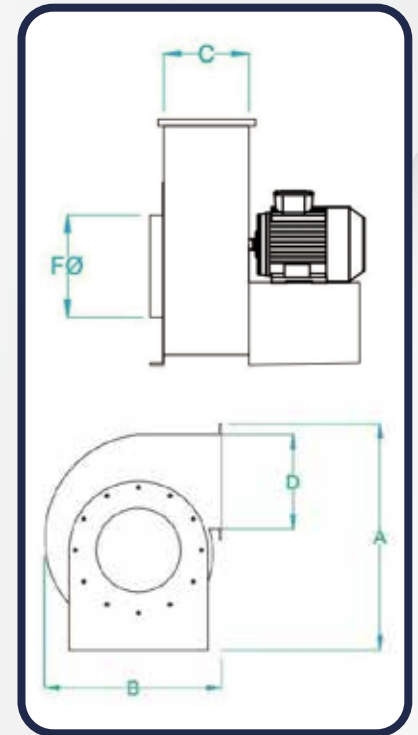
1) Motor

- Motors with IE3 efficiency
- Motor protection degree IP 55
- Maximum temperature of air to be conveyed -25°C +80°C
- Optional: 120°C continuously
 - 300°C / 400°C / 600°C
 - Explosion Proof

2

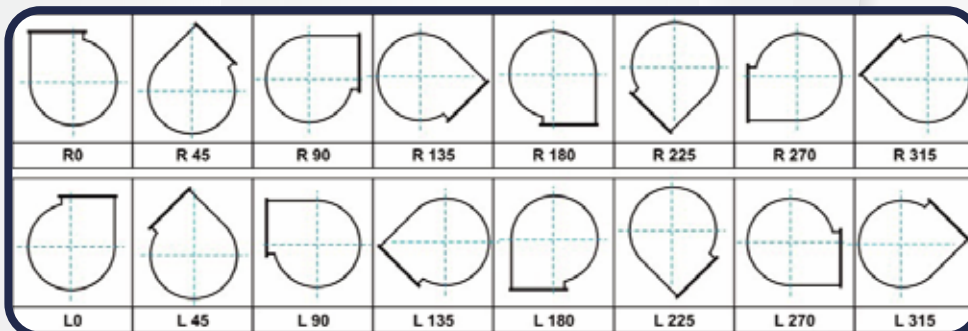
2) Fan

- Sheet steel casing
- Single inlet
- Low pressure centrifugal fans
- Directly coupled motor
- Painted
 - Optional: Electrostatic painted
 - Epoxy painted
 - C5M coating
- Low sound level
- Easy installation and maintenance



Models	Motor Power (kW)	Speed (rpm)	Air Flow (m³/h)	Pressure Loss (mmSS)	A (mm)	B (mm)	C (mm)	D (mm)	ØF (mm)
LPCF-1	0,37	1450	1500	25	460	370	150	170	150
LPCF-2	0,75	1450	2500	30	570	400	180	230	200
LPCF-3	1,1	1450	3500	40	650	500	200	260	240
LPCF-4	1,5	1450	4500	55	700	550	230	280	260
LPCF-5	2,2	1450	6000	75	750	590	230	300	280
LPCF-6	3	1450	6500	90	750	600	250	320	300
LPCF-7	4	1450	7500	100	810	640	250	340	320
LPCF-8	5,5	1450	9500	110	920	740	300	390	350
LPCF-9	7,5	1450	12000	125	990	800	320	420	380
LPCF-10	11	1450	15000	135	1050	950	380	500	420

Orientations



Note: Seen from the drive side

Cvsair®

